

GENERATING SET GE 13000 HBS

The images are for reference



FEATURES

- Engine shut down for low oil level (oil alert)
- The recessed control panel protect sockets
- Large fuel tank - 25l
- Automatic voltage regulation "AVR"
- Circuit breaker
- Silenced
- Not compliant with noise directive 2000/14/EC



air cooled



petrol



three-phase



electric start

POWER RATINGS

* Stand-By three-phase power (LTP)	13 kVA (10.4 kW) / 400V / 18.7 A
* PRP three-phase power	11.5 kVA (9.2 kW) / 400V / 16.6 A
* PRP single-phase power	6 kVA / 230V / 26 A
Frequency	50 Hz
Cos φ	0.9

* Output powers according to ISO 8528-1

DEFINITION

Valid declared powers up to the followings environmental conditions: temperature 25°C, altitude 100 meters above sea level)

LTP power: stand-by power: Maximum available power for use with variable loads for a yearly number of hours limited at 500 h. No overload is admitted.

PRP power: continue power with variable loads. Maximum power for use with variable loads for a yearly illimited nubers of hours.

COP power: continuous power with constant load. Maximum power for use with constant loads for a yearly unlimited numbers of hours.

ENGINE 3000 RPM

4 STROKE OHV, NATURAL ASPIRATED

Model	HONDA GX 630
* Stand-By net power	14.5 kWm (19,7 hp)
* PRP net power	10.5 kWm (14,3 hp)
* COP net power	/
Cylinders / Displacement	2 / 688 cm ³
Bore / Stroke	78 / 72 (mm)
Compression ratio	9.3 : 1
BMEP (Brake Mean Effective Pressure : LTP - PRP)	/
Speed governor type	Mechanical
FUEL CONSUMPTION	
110 % (Stand-by power)	6.25 lt./h
100 % to PRP	5.25 lt./h
75 % to PRP	3.9 lt./h
50 % to PRP	2.6 lt./h
COOLING SYSTEM	
Total system cap. - only engine	/
Fan air flow	/
LUBRICATION SYSTEM	
Total oil system capacity	/
Oil capacity in sump	1.9 lt.
Oil consumption at full load	/

EXHAUST SYSTEM

Maximum exhaust gas flow	/
Max. exhaust gas temp.	/
Maximum back pressure	/
External diameter exhaust pipe	/
ELECTRICAL SYSTEM	
Starter motor power	/
Battery charging alternator cap.	20 A
Cold start	/
With cold start aid	/
AIR FILTER	
Combustion air flow	/
HEAT REJECTED AT FULL LOAD	
To exhaust system	/
To water and oil	/
Radiated to room	/
To charge cooler	/



ALTERNATOR

SYNCHRONOUS, THREE-PHASE, SELF-EXCITED, SELF-REGULATED	
Continuous power	11.5 kVA
Stand-by power	12.5 kVA
Three phase voltage	380 - 415 Vac
Frequency	50 Hz
Cos φ	0.8
Model A.V.R.	HVR 10
Voltage regulation acc.	± 1 %
Sustained short circuit current	3 I _n
Transient dip (100% load)	15 %
Recovery time	/
Efficiency at 100% load	83.5 % (230V - Cos φ 0.8)
Insulation	Class H
Connection - Terminals	Star - N°6
Electromagnetic compatibility (R.F.I. suppr.)	/
Waveform distortion - THD	< 4 %
Telephone interference - THF	/

REACTANCES (11.5 KVA - 400 V)	
Direct axis synchronous - X _d	239 %
Direct axis transient - X' _d	19 %
Subdirect axis transient - X'' _d	4.6 %
Quadrature axis synchronous - X _q	130 %
Quadr. axis subtransient - X'' _q	/
Negative sequence - X ₂	/
Zero sequence - X ₀	/
TIME CONSTANTS	
Transient - T' _d	0.046 sec
Subtransient - T'' _d	0.006 sec
Open circuit - T' _{do}	0.58 sec
Armature - T _a	/
Short-circuit ratio K _{cc}	/
IP protection degree	IP 23
Cooling air flow	0.082 m ³ /sec.
Coupling Bearing	Direct J609b - N°1

GENERAL SPECIFICATIONS

Fuel tank capacity	18 lt.
Running time (75% to PRP)	3.9 h
Starter battery	12 Vdc -38Ah

IP protection degree	IP 23
Acoustic power L _{WA} (pressure L _{pA})	99 dB(A) (74 dB(A) @ 7 m)
Performance class (ISO 8528)	G2

CONTROL PANEL

- Starter key
- Hoursmeter
- Oil alert alarm lamp (led)
- Manual throttle
- Choke
- Digital multifunction meter
- Voltmeter
- Frequencymeter
- Circuit breaker
- Earth leakage circuit breaker
- CEE output sockets: 1x 400V 32A 3P+N+T CEE
2x 230V 16A 2P+T CEE
- Earth terminal (PE)

WEIGHT - DIMENSIONS AND ACCESSORIES

GE 13000 HBS



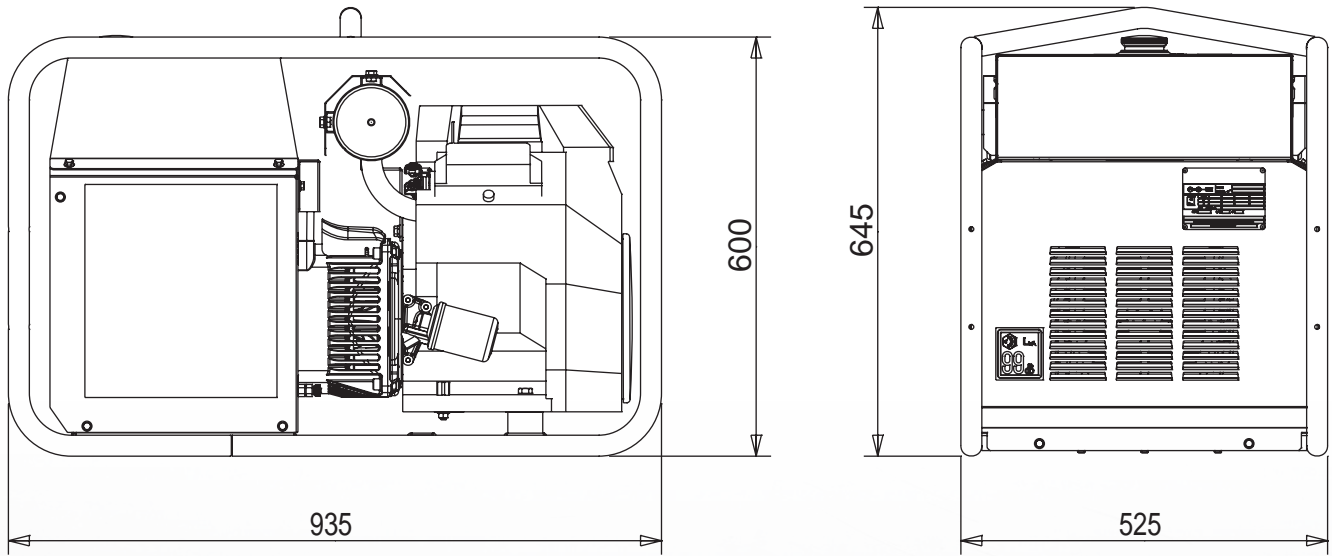
DRY WEIGHT MACHINE:

- 142 Kg

Generating set pictured may include optional accessories.



DIMENSIONS DRAW (mm)



OPTIONS ON REQUEST

- Earthing
- Trolley CTM 10
- Tank cap with lock



VERSIONS ON REQUEST

- /



FACTORY INSTALLATION OPTIONS

- /

GENERAL INFORMATION

COMPLIANCE GENERATING SETS WITH EC DIRECTIVES AND STANDARDS

- 2006/42 / EC (Machines Directive)
- 2014/35 / EU (Low Voltage Directive)
- 2014/30 / EU (EMC Directive)
- ISO 8528 (Reciprocating internal combustion engine driven alternating current generating sets)



ISO 9001:2008 - Cert. 0192

WARRANTY

All devices are covered by the manufacturer's warranty.

Non-contractual document. Specification subject to change without notice.

© MOSA - Viale Europa, 59 - 20047 Cusago (Milano) - Italy - phone +39-0290352.1 - fax + 39-0290390466 E-mail: export@mosa.it Web site: www.mosa.it

