



LIGHT & ENERGY

TF IM5.5Y



FEATURES

- Zinc plated telescopic mast
- Manual winch raise/lower
- Wind proof up to 80Km/h
- Two axes manually adjustable floodlights
- Bunded base
- Trolley with wheels and handles
- On/off switches one for each lamp
- 2 adjustable stabilisers, extensible
- Safety lock
- Super silenced
- Single point lifting eye and forklift pockets

TRASPORTO



	TROLLEY	SITE TOW TRAILER
TRUCK 13.60 m	22 towers	14 towers
CONTAINER 12 m	20 towers	12 towers
CONTAINER 5 m	8 towers	6 towers



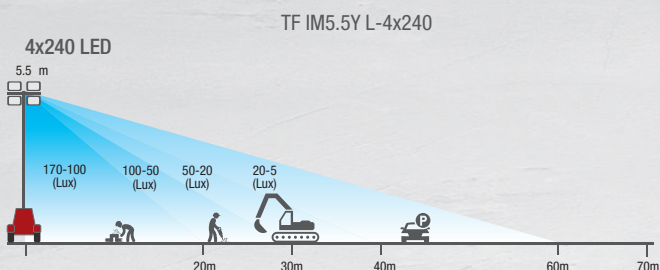
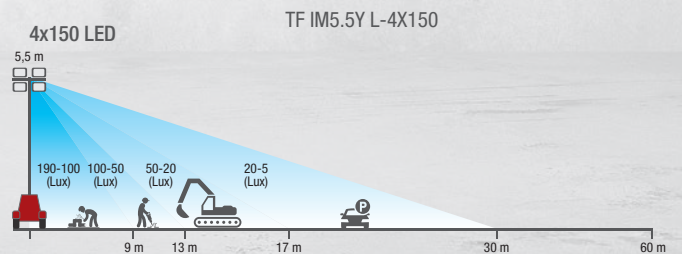
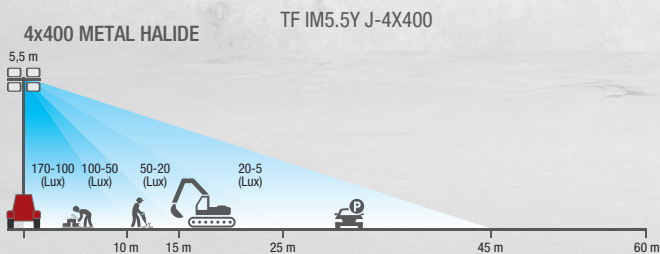
AVAILABLE LAMPS

- TF IM5.5Y L-4X150: 4 LED
- TF IM5.5Y L-4X240: 4 LED
- TF IM5.5Y J-4X400: 4 METAL HALIDE



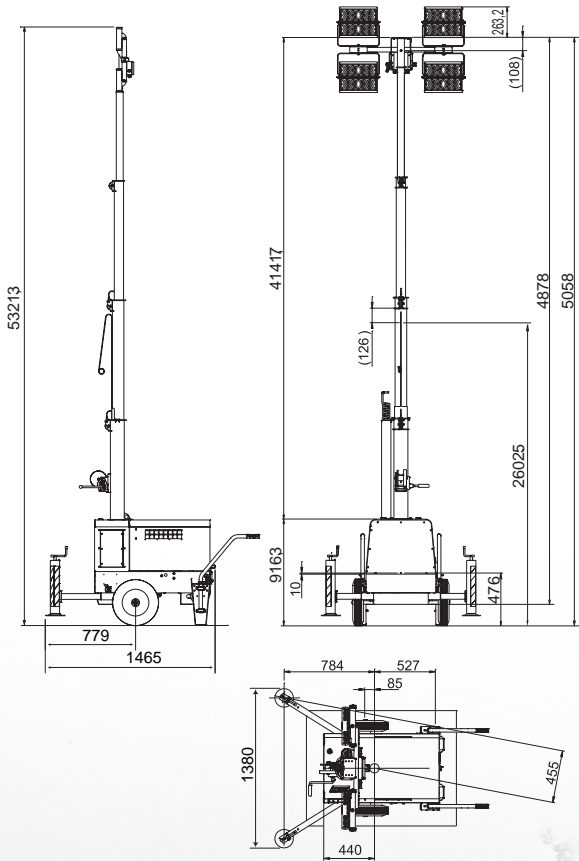
VERSIONS ON REQUEST

- Trolley
- Road towing trolley

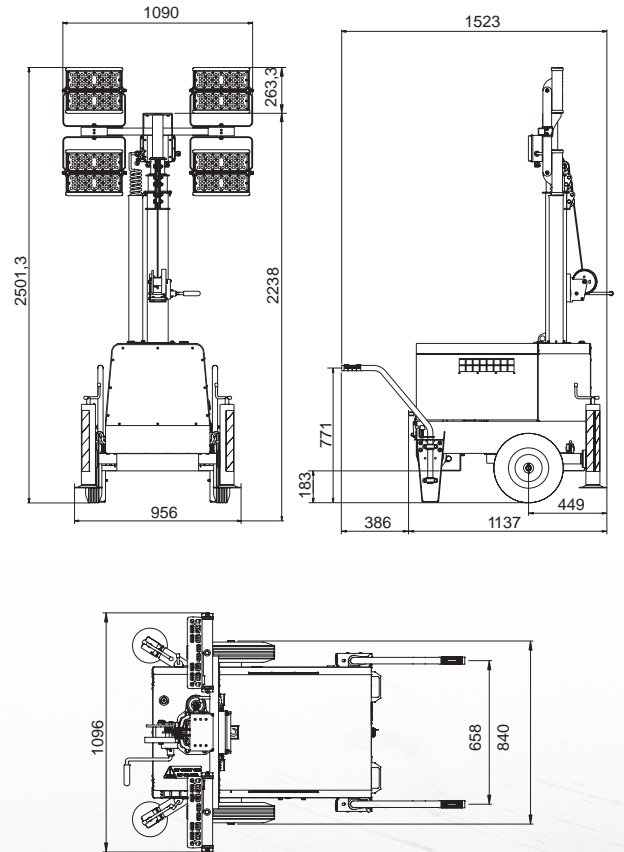


DIMENSIONS

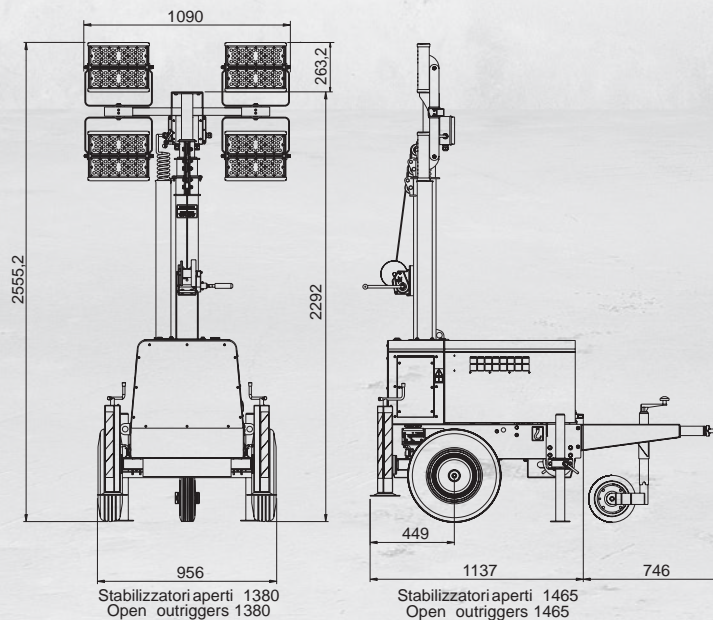
TF IM5.5Y WITH RAISED GALVANIZED POLE



TF IM5.5Y WITH CTV



TF IM5.5Y ON BASE



Stabilizzatori aperti 1380
Open outriggers 1380

Stabilizzatori aperti 1465
Open outriggers 1465

TECHNICAL DATA

LIGHTS AND MAST			
LAMP TYPE:	4X400 W - METAL HALIDE	4X150 W - LED	4X240 W - LED
ILLUMINATED AREA	1800 mq	2000 mq	2500 mq
LUX AVERAGE	19	30	42
TOTAL LUMEN:	136000 lm	90000 lm	153600 lm
MAST:	TELESCOPIC - MANUAL		
GENERAL CHARACTERISTICS			
WIND LOAD STABILITY:	UP TO 80 km/h		
TANK CAPACITY:	23 l		
RUNNING TIME:	32h (LIGHTS ONLY)	44h (LIGHTS ONLY)	40h (LIGHTS ONLY)
IP PROTECTION:	IP 23 (IP 55 LAMPS)		
ACOUSTIC POWER:	LwA = 93 dBA LpA = 68 dBA @ 7 m		
STABILIZERS:	2 ADJUSTABLE EXTENSIBLE		
WEIGHT (DRY):	226	226	234
4-STROKE DIESEL ENGINE, DIRECT INJECTION, AIR COOLING			
MODEL:	YANMAR L70N		
STAND-BY NET POWER:	4.5 kW		
PRP NET POWER:	4.1 kW		
CYLINDERS / DISPLACEMENT:	1 / 320 cm ³		
SPEED:	3000 rpm		
FUEL CONSUMPTION:	0.5 ÷ 1.2 l / h (min-max);		
BATTERY:	12V - 38Ah		
GENERATOR			
ALTERNATOR:	4.2 kVA, SINGLE-PHASE, SYNCHRONOUS, BRUSHLESS, 2 POLS - COS j = 0.9 - INSULATION CLASS = H		
OUTPUT POWER SOCKETS:	3.1 kVA (2.8 kW) 230V / 13.5A 50 Hz 1x230V/16A 2P+T CEE 3.1 kVA (2.8 kW) 115V / 27A 50 Hz 1x115/16A 2P+T CEE		

GENERAL INFORMATION

COMPLIANCE GENERATING SETS WITH EC DIRECTIVES AND STANDARDS

2006/42 / EC (Machinery Directive)
 2014/35 / UE (Low Voltage Directive)
 2014/30 / UE (Electromagnetic Compatibility Directive)
 IEC-EN 60974-1 Arc welding equipment - Welding power sources
 IEC-EN 60974-10 Arc welding equipment - Electromagnetic compatibility (EMC) requirements



ISO 9001:2015 - Cert. 0192

WARRANTY

All devices are covered by the manufacturer's warranty.

Non-contractual document. Specification subject to change without notice.

© MOSA - Viale Europa, 59 - 20090 Cusago (Milano) - Italy - phone +39-0290352.1 - fax + 39-0290390466 E-mail: info@mosa.it Web site: www.mosa.it

