



# LIGHT & ENERGY

## TF II9 Y



### CHARACTERISTICS

- Zinc plated telescopic mast
- Safety valve for lowering the tower in case of hydraulic system failure
- Engine protection EP6
- Bunded base
- Spark arrestor
- Super silenced
- Single point lifting eye and forklift pockets
- Switch for external power supply

### TRANSPORT



	BASE ASSEMBLY WITH STABILISERS	FAST TOW HIGHWAY TRAILER (HOMOLOGATED)	SITE TOW TRAILER
TRUCK 13.60 m	11 towers	5 towers	11 towers
CONTAINER 12 m	10 towers	4 towers	10 towers
CONTAINER 5 m	5 towers	2 towers	5 towers

### VERSIONS ON REQUEST

- Base Assembly with Stabilisers
- Fast Tow Highway Trailer (Homologated)
- Site Tow Trailer

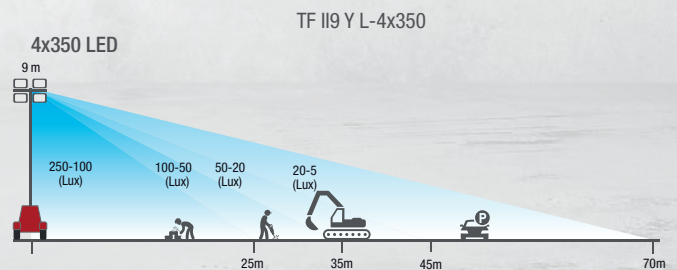
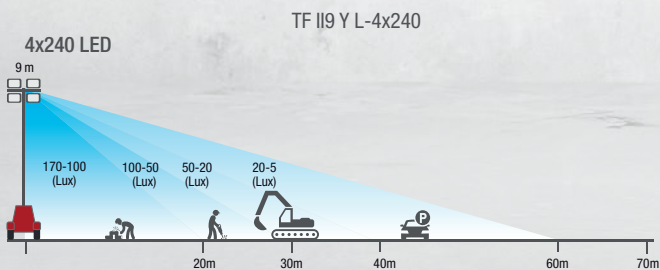
### AVAILABLE LAMPS

- TFII9 Y L-4x240: 4 LED
- TFII9 Y L-4x350: 4 LED

### OPTIONS ON REQUEST

- SCHUKO Sockets 16A/ 230V

### GRAPHICS LIGHTING





# TECHNICAL DATA

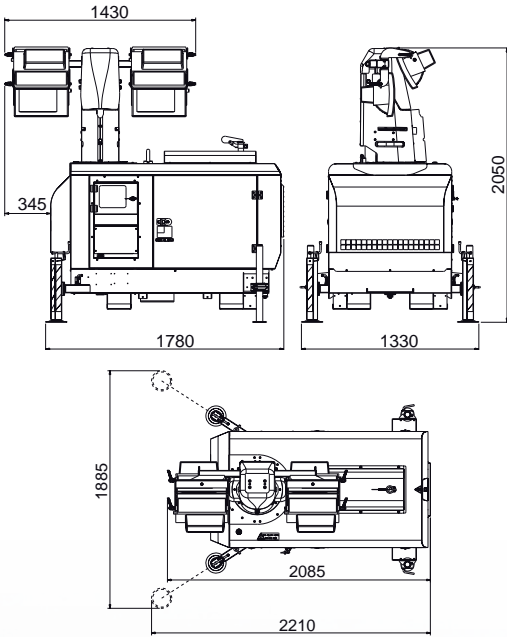
LIGHTS AND MAST		
LAMP TYPE:	4 x 240 W – LED	4 x 350 W – LED
ILLUMINATED AREA	4800 mq	4800 mq
AVERAGE LUX	21	30
TOTAL LUMENS	153600	210000
MAST ROTATION:	340° - MANUAL	
MAST:	TELESCOPIC - HYDRAULIC	
GENERAL CHARACTERISTICS		
WIND LOAD STABILITY:	UP TO 80 km/h	
TANK CAPACITY:	110 l	
RUNNING TIME:	230 h (LIGHTS LOAD ONLY)	158 h (LIGHTS LOAD ONLY)
IP PROTECTION:	IP 44	
ACOUSTIC POWER:	LwA = 90 dBA LpA = 65 dBA @ 7 m	
STABILIZERS:	4 (2 ADJUSTABLE)	
WEIGHT (DRY)		
BASE ASSEMBLY WITH STABILISERS	885 kg	895 kg
SITE TOW TRAILER	975 kg	985 kg
FAST TOW HIGHWAY TRAILER (HOMOLOGATED)	1070 kg	1080 kg
TYRES		
SITE TOW TRAILER	2 x 185 / 65 R 14	
FAST TOW HIGHWAY TRAILER (HOMOLOGATED)	2 x 195 / 50 R 13	
ENGINE - WATER COOLING		
MODEL:	YANMAR 3TNV80 (Stage V)	
NET POWER (ST-BY / PRP):	9 kW / 8.2 kW @ 1500 rpm	
CYLINDERS / DISPLACEMENT:	3 / 1267 cm <sup>3</sup>	
FUEL CONSUMPTION:	0.48 l / h (LIGHTS LOAD ONLY); 2.4 l / h (PRP)	0.6 l / h (LIGHTS LOAD ONLY); 2.4 l / h (PRP)
BATTERY:	12V - 45 Ah	
GENERATOR		
ALTERNATOR:	LINZ E1C13SC/4 - 8 kVA, SINGLE PHASE, SYNCHRONOUS, BRUSHLESS, 4 POLES PF = 0.9 ISOLATION CLASS = H	
OUTPUT POWER:	6.5 kVA / 230V / 28.3A 50 Hz 1x32A / 230V 2P+T CEE 1x16A / 230V 2P+T CEE	6.1 kVA / 230V / 26.5A 50 Hz 1x32A / 230V 2P+T CEE 1x16A / 230V 2P+T CEE
CONTROL PANEL		
EP6 CONTROLLER FUNCTIONS:	High temperature engine shut down; Low oil pressure shut down; Overspeed shut down; Battery charge failure shut down; Delayed (5 min.) low fuel shut down; Overvoltage shut down; Battery over / undervoltage alarm.	
• STARTER KEY		
• AUTOSTART		
• PROTECTIONS AND ALARMS:		
• MEASUREMENTS:	Hourmeter; r.p.m. meter; battery charge alternator voltage; Battery voltage; generator voltage; generator current; generator frequency.	
FUEL LEVEL GAUGE		
EMERGENCY STOP BUTTON		
SIREN		
GENERAL PROTECTION CIRCUIT BREAKER		
OUTPUT SOCKET PROTECTION CIRCUIT BREAKER		
INDIVIDUAL CIRCUIT BREAKER SWITCHES FOR THE LAMPS		
MAST UP / DOWN PUSH BUTTONS		
1 SOCKET 230V / 16A 2P+T CEE (for version J-4x1000)		
1 SOCKET 230V / 32A 2P+T CEE + 1 SOCKET 230V / 16A 2P+T CEE (for version LED version)		



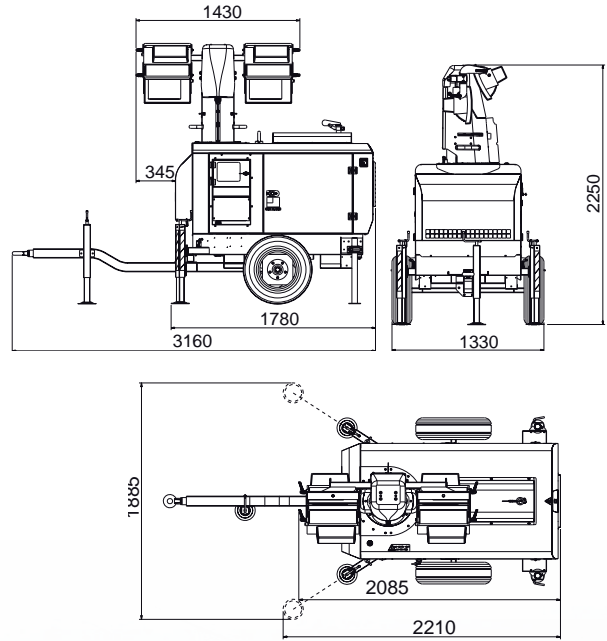
# DIMENSIONS

DESIGNING DIMENSIONS IN SI UNITS OR IN INCHES (FOR SI UNITS)

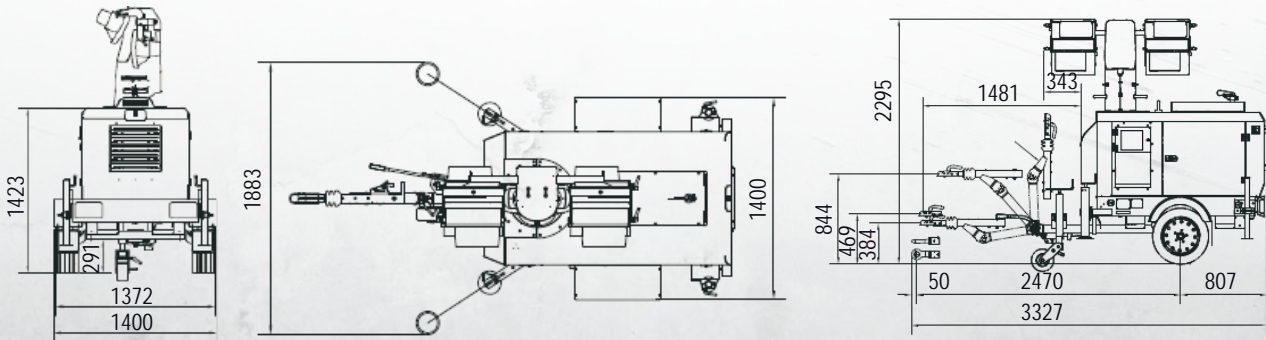
TF II9 Y BASE



TF II9 Y WITH CTL



TF II9 Y WITH CTV



## GENERAL INFORMATION

### COMPLIANCE GENERATING SETS WITH EC DIRECTIVES AND STANDARDS

- 2006/42 / EC (Machines Directive)
- 2014/35 / EU (Low Voltage Directive)
- 2014/30 / EU (EMC Directive)
- ISO 8528 (Reciprocating internal combustion engine driven alternating current generating sets)



ISO 9001:2015 - Cert. 0192

### WARRANTY

All devices are covered by the manufacturer's warranty.

Non-contractual document. Specification subject to change without notice.

© MOSA - Viale Europa, 59 - 20090 Cusago (Milano) - Italy - phone +39-0290352.1 - fax + 39-0290390466 E-mail: info@mosa.it Web site: www.mosa.it

