

LIGHTING KIT

TF CUBE I9



CHARACTERISTICS

- Zinc plated telescopic mast
- Hydraulic raise/lower
- 340 degrees manual rotation of the tower
- Wind proof up to 80 km/h
- Safety valve for lowering the tower in case of hydraulic system failure
- Two axes manually adjustable floodlights
- Switches to on/off for lamps
- Base with 4 x adjustable stabilisers, two extendable
- Lifting hooks and forklift pockets
- Three phase power supply plug CEE 32A/ 400V/ 5P



VERSIONS ON REQUEST



AVAILABLE LAMPS

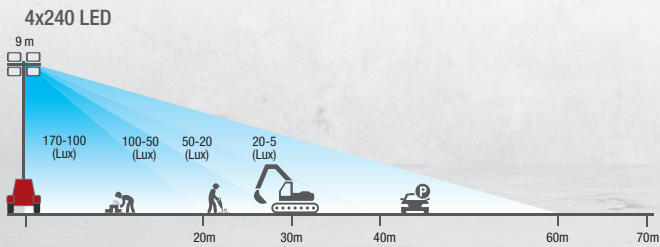
- TF CUBE I9 L-4x240: 4 LED
- TF CUBE I9 L-4x350: 4 LED

TRANSPORT

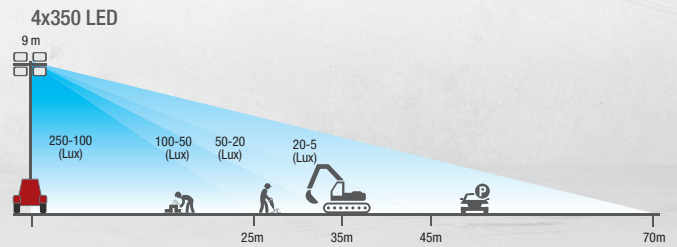


TRUCK 13.60 m	22 towers
CONTAINER 12 m	20 towers
CONTAINER 5 m	10 towers

TF NI9 L-4x240



TF NI9 L-4x350



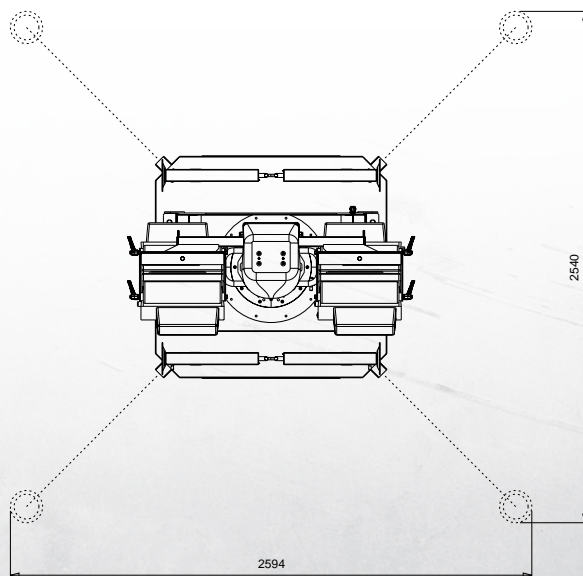
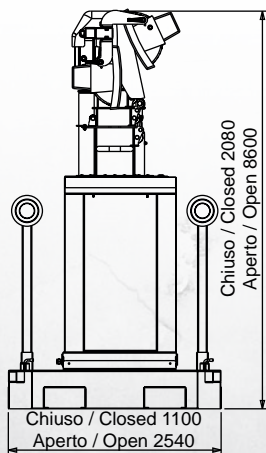
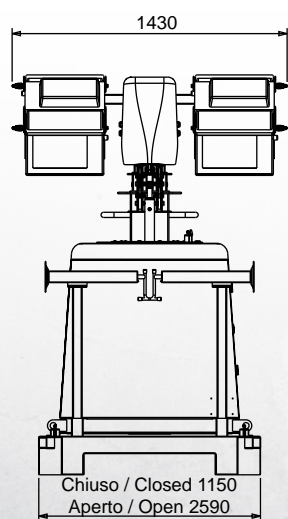
TECHNICAL DATA

DIMENSIONS AND WEIGHT:

	TF CUBE I9 L-4X240		TF CUBE I9 L-4X350	
	tower closed	tower open	tower closed	tower open
Width (mm)	1100	2540	1100	2540
Length (mm)	1150	2590	1150	2590
Height (mm)	2080	8700	2080	8700
Weight (Kg)	600		610	

FEATURES

	TF NI9 L-4X240	TF NI9 L-4X350
Illuminated area	4800 mq	4800 mq
Lux average	21	30
Total lumen	153600	210000



GENERAL INFORMATION

COMPLIANCE GENERATING SETS WITH EC DIRECTIVES AND STANDARDS

2006/42 / EC (Machinery Directive)

2014/35 / UE (Low Voltage Directive)

2014/30 / UE (Electromagnetic Compatibility Directive)

IEC-EN 60974-1 Arc welding equipment - Welding power sources

IEC-EN 60974-10 Arc welding equipment - Electromagnetic compatibility (EMC) requirements



ISO 9001:2015 - Cert. 0192

WARRANTY

All devices are covered by the manufacturer's warranty.

Non-contractual document. Specification subject to change without notice.

© MOSA - Viale Europa, 59 - 20090 Cusago (Milano) - Italy - phone +39-0290352.1 - fax + 39-0290390466 E-mail: info@mosa.it Web site: www.mosa.it

