



# LIGHTING KIT TF NM5.5



## TRANSPORT



TRUCK 13.60 m	18 towers
CONTAINER 12 m	16 towers
CONTAINER 5 m	6 towers

## CHARACTERISTICS

- Zinc plated telescopic mast
- Manual winch raise/lower
- Wind proof up to 80 km/h **with generator having weight  $\geq$  80 kg**
- Two axes manually adjustable floodlights
- Trolley with wheels and handles
- ON/OFF Switches one for each lamp
- Two axes manually adjustable floodlights
- Safety lock
- Lifting hooks and forklift pockets
- Frame prepared for installing a generating set from 4 to 7 kVA



## VERSIONS ON REQUEST

- /



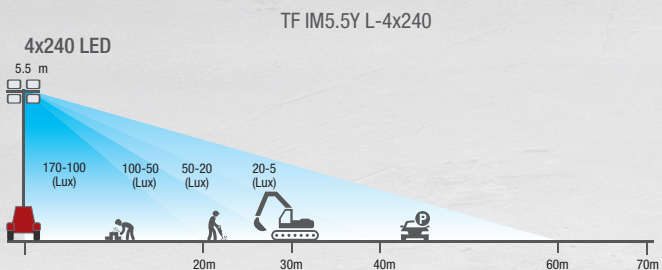
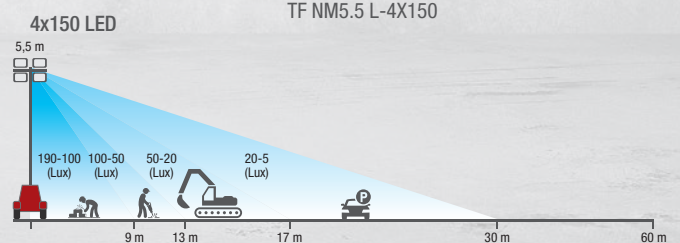
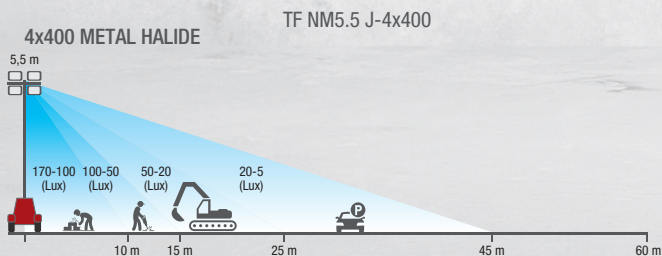
## AVAILABLE LAMPS

- **TF NM5.5 J-4x400**: 4 METAL HALIDE
- **TF NM5.5 L-4X150**: 4 LED
- **TF NM5.5 L-4X240**: 4 LED



## POWER SUPPLY

- **TF NM5.5 J-4x400**: 1~ 220-240V 50Hz - Plug 16A/32A 230V 3P
- **TF NM5.5 L-4X150**: 100-240V 1~ 50/60 Hz
- **TF NM5.5 L-4X240**: 100-240V 1~ 50/60 Hz



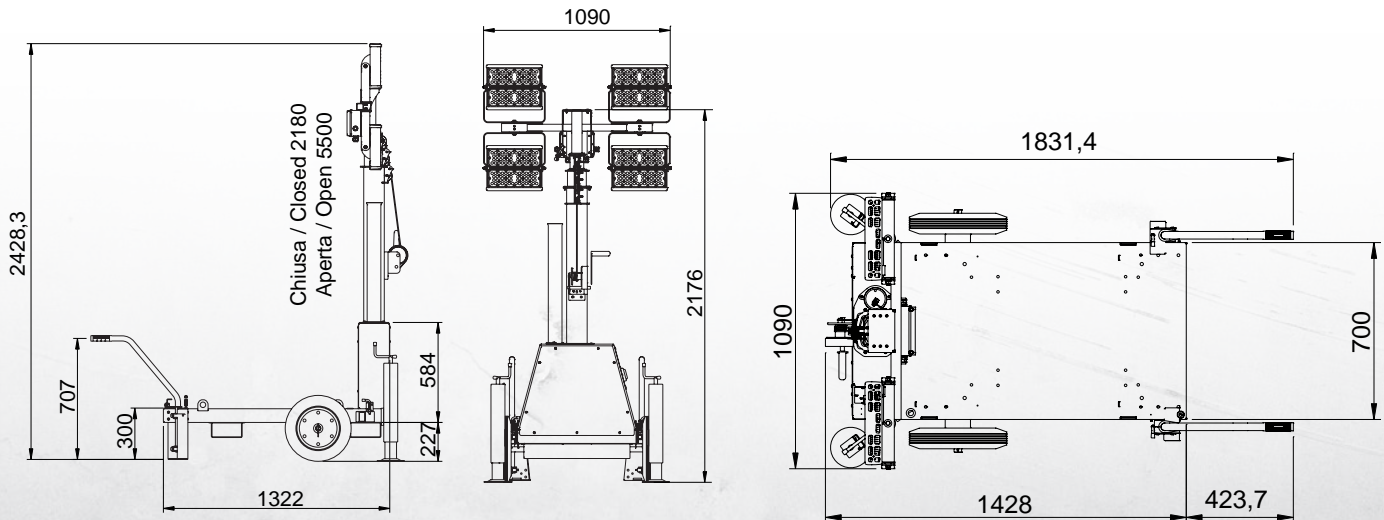
# TECHNICAL DATA

## DIMENSIONS AND WEIGHT:

	TF NM5.5 J-4X400		TF NM5.5 L-4X150		TF NM5.5 L-4X240	
	tower closed	tower open	tower closed	tower open	tower closed	tower open
Width (mm)	1090	1570	1090	1570	1090	1570
Length (mm)	1430	1730	1430	1730	1430	1730
Height (mm)	2180	5500	2180	5500	2180	5500
Weight (Kg)	226		226		234	

## FEATURES

	TF NM5.5 J-4X400	TF NM5.5 L-4X150	TF NM5.5 L-4X240
Illuminated area	1800 mq	2000 mq	2500 mq
Lux average	19	30	42
Total lumen	136000	90000	153600



## GENERAL INFORMATION

### COMPLIANCE GENERATING SETS WITH EC DIRECTIVES AND STANDARDS

2006/42 / EC (Machinery Directive)

2014/35 / UE (Low Voltage Directive)

2014/30 / UE (Electromagnetic Compatibility Directive)

IEC-EN 60974-1 Arc welding equipment - Welding power sources

IEC-EN 60974-10 Arc welding equipment - Electromagnetic compatibility (EMC) requirements



ISO 9001:2015 - Cert. 0192

### WARRANTY

All devices are covered by the manufacturer's warranty.

Non-contractual document. Specification subject to change without notice.

© MOSA - Viale Europa, 59 - 20090 Cusago (Milano) - Italy - phone +39-0290352.1 - fax + 39-0290390466 E-mail: info@mosa.it Web site: www.mosa.it

