

# GENERATING SET GE S-8000 BBT

The images are for reference



### POWER RATINGS

* Stand-By three-phase power (LTP)	8 kVA (6.4 kW) / 400V / 11.5A
* PRP three-phase power	7 kVA (5.6 kW) / 400 V / 10.1A
* PRP single-phase power	4 kW / 230 V / 17.4A
* COP single-phase power	/
Frequency	50 Hz
Cos φ	0.8

\* Output powers according to ISO 8528-1

## ENGINE 3000 RPM

### 4 STROKE OHV, NATURAL ASPIRATED

Model	B&S - XR2100
* Stand-By net power	8.15 kWm (11 hp)
* PRP net power	7.3 kWm (10 hp)
* COP net power	/
Cylinders / Displacement	1 / 420 cm <sup>3</sup> (0.42 lt.)
Bore / Stroke	90 / 66 (mm)
Compression ratio	/
BMEP (Brake Mean Effective Pressure : LTP - PRP)	/
Speed governor type	Mechanical
<b>FUEL CONSUMPTION</b>	
110 % (Stand-by power)	4 lt./h
100 % to PRP	3.6 lt./h
75 % to PRP	2.7 lt./h
50 % to PRP	1.8 lt./h
<b>COOLING SYSTEM</b>	
Total system cap. - only engine	/
Fan air flow	/
<b>LUBRICATION SYSTEM</b>	
Total oil system capacity	/
Oil capacity in sump	1.1 lt.
Oil consumption at full load	/

\* Output powers according to ISO 3046-1

### FEATURES

- Manual recoil (AA)
- Engine shut down for low oil level
- Sockets: 1x 400V 16A 3P+N+T CEE  
1x 230V 16A 2P+T CEE  
1x 230V 16A 2P+T Schuko
- Circuit breaker
- Fuel level gauge
- Protective frame and partially covered
- Portable
- AVR version **on request**
- Electric Start **on request** (standard for AE version)
- Not compliant with noise directive 2000/14/EC



air cooled



petrol



three-phase



manual  
recoil



electric  
start



silenced

### DEFINITION

Valid declared powers up to the followings environmental conditions: temperature 25°C, altitude 100 meters above sea level)

**LTP power: stand-by power:** Maximum available power for use with variable loads for a yearly number of hours limited at 500 h. No overload is admitted.

**PRP power:** continue power with variable loads. Maximum power for use with variable loads for a yearly illimited nubers of hours.

**COP power:** continuous power with constant load. Maximum power for use with constant loads for a yearly unlimited numbers of hours.

### EXHAUST SYSTEM

Maximum exhaust gas flow	/
Max. exhaust gas temp.	/
Maximum back pressure	/
External diameter exhaust pipe	/
<b>ELECTRICAL SYSTEM</b>	
Starter motor power	/
Battery charging alternator cap.	/
Cold start	/
With cold start aid	/
<b>AIR FILTER</b>	Dry
Combustion air flow	/
<b>HEAT REJECTED AT FULL LOAD</b>	
To exhaust system	/
To water and oil	/
Radiated to room	/
To charge cooler	/



## ALTERNATOR

SYNCHRONOUS, THREE-PHASE, SELF-EXCITED, SELF-REGULATED		
	WITHOUT AVR	WITH AVR
Continuous power	7 kVA	
Stand-by power	7.7 kVA	
Three phase voltage	400 Vac	
Frequency	50 Hz	
Cos $\varphi$	1	
Model A.V.R.	/	HVR10
Voltage regulation acc.	$\pm 4 \%$	$\pm 1 \%$
Sustained short circuit current	3 In	
Transient dip (100% load)	< 15 %	
Recovery time	/	
Efficiency at 100% load	80.5% (400V - Cos $\varphi$ 0.8)	82.5% (400V - Cos $\varphi$ 0.8)
Insulation	Class H	
Connection - Terminals	Series - N°6	
Electromagnetic compatibility (R.F.I. suppr.)	EN55011	
Waveform distortion - THD	< 4 %	
Telephone interference - THF	/	

REACTANCES (7 KVA - 400 V)		
REACTANCES AVR (7 KVA - 400 V)		
Direct axis synchronous - Xd	270 %	222 %
Direct axis transient - X'd	20 %	15 %
Subdirect axis transient - X''d	6.5 %	4.7 %
Quadrature axis synchronous - Xq	150 %	128 %
Quadr. axis subtransient - X''q	/	/
Negative sequence - X2	/	/
Zero sequence - X0	/	/
TIME CONSTANTS		
Transient - T'd	33 ms	33 ms
Subtransient - T''d	5.5 ms	6 ms
Open circuit - T'do	450ms	500 ms
Armature - Ta	/	/
Short-circuit ratio Kcc	0.60	0.72
IP protection degree	IP 23	
Cooling air flow	0.062/ m <sup>3</sup> /sec	0.060/ m <sup>3</sup> /sec
Coupling   Bearing	Direct J609b - N°1	

## GENERAL SPECIFICATIONS

Fuel tank capacity	20 lt.
Running time (75% to PRP)	7.5 h
Starter battery	12V - 18Ah (AE)
IP protection degree	IP 23

Acoustic power LwA (pressure LpA)	99 dB(A) (74 dB(A) @ 7m)
Performance class (ISO 8528)	G2

## CONTROL PANEL

- Engine switch ON - OFF (AA)
- Local-Remote Start (AE) switch
- EAS connector (AE)
- Choke
- Fuel valve
- Fuel level gouge
- Digital multifunction meter: Voltmeter - Frequencymeter - Total Hoursmeter - Partial Hoursmeter (resettable)
- Circuit breaker
- Output sockets: 1x 400V 16A 3P+N+T CEE  
1x 230V 16A 2P+T CEE  
1x 230V 16A 2P+T Schuko
- Earth terminal (PE)

# WEIGHT - DIMENSIONS AND ACCESSORIES

GE S-8000 BBT



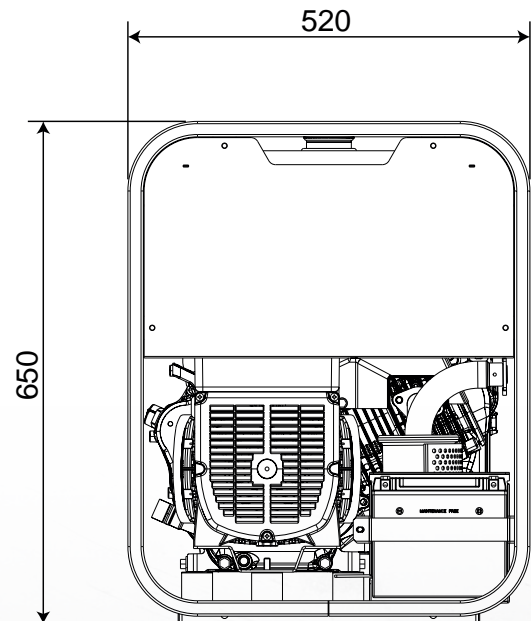
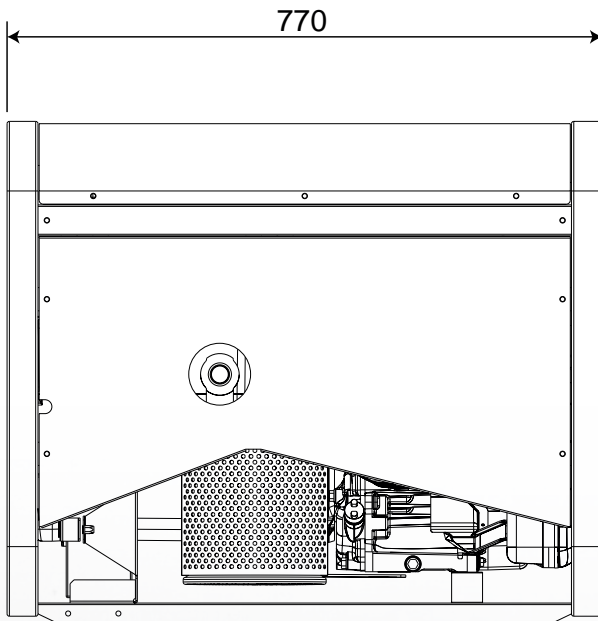
### DRY WEIGHT MACHINE:

- 98 Kg (AA)
- 102 Kg (AVR - AA)
- 108 Kg (AE)
- 112 Kg (AVR - AE)

Generating set pictured may include optional accessories.



### DIMENSIONS DRAW (mm)



### ⊕ OPTIONS ON REQUEST

- Automatic transfer unit (AMF) EAS 15 - 806 (AE)
- Earthing kit
- Moving trolley CM8

### ☀ VERSIONS ON REQUEST

- AVR version
- Electric Start Version (AE)

### 📄 FACTORY INSTALLATION OPTIONS

- ELCB-GFI (Ground Fault Interruptor)
- Isometer

## GENERAL INFORMATION

### COMPLIANCE GENERATING SETS WITH EC DIRECTIVES AND STANDARDS

- 2006/42 / EC (Machines Directive)
- 2014/35 / EU (Low Voltage Directive)
- 2014/30 / EU (EMC Directive)
- ISO 8528 (Reciprocating internal combustion engine driven alternating current generating sets )



ISO 9001:2008 - Cert. 0192

### WARRANTY

All devices are covered by the manufacturer's warranty.

Non-contractual document. Specification subject to change without notice.

© MOSA - Viale Europa, 59 - 20047 Cusago (Milano) - Italy - phone +39-0290352.1 - fax + 39-0290390466 E-mail: export@mosa.it Web site: www.mosa.it

