



# WELDING GENERATOR GM 7-200 HBT

The images are for reference

## WELDING PROCESS



Shielded Metal Arc welding SMAW (STICK)



## FEATURES

- Arc welding source in D.C. welding
- A.C. generator, single-phase
- Protective frame with central lifting eye
- Engine shut down for low oil level (oil alert)
- Thermal protection for welding circuit
- Thermal protection for generator sockets
- Differential protection (on request)
- Compliant with EC / EU Directives

## DEFINITIONS

**SMAW:** Coated electrode welding is an arc welding with protected metal.

**GMAW:** welding is an arc process with metal under gas protection.

**FCAW (FLUX CORED):** The process with cored wires is very similar to MIG / MAG welding. Continuous wire is not full but consists in a metal strip that wraps a powders core (flow).

**GTAW:** is a welding process that uses a tungsten electrode that cannot melt.



air cooled



diesel



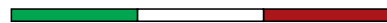
manual recoil

## ENGINE 3000 RPM

4-TEMPI, OHV	
Model	HONDA - GX 390
* Stand-by net power	8.2 kWm (11.1 hp)
* PRP net power	6.4 kWm (8.7 hp)
* COP net power	/
Cylinder / Displacement	1 / 389 cm <sup>3</sup> (0.39 lt.)
Bore / Stroke	88 / 64 (mm)
Compression ratio	8.2 : 1
BMEP (Brake Mean Effective Pressure : LTP - PRP)	/
Speed governor type	Mechanical
<b>FUEL CONSUMPTION</b>	
110 % (Stand-by power)	3.5 lt./h
100 % of PRP	3.2 lt./h
75 % of PRP	2.4 lt./h
50 % of PRP	1.6 lt./h
25% of PRP	
<b>COOLING SYSTEM</b>	
Total system cap. - only engine	/
Fan air flow	

\* Potenze dichiarate in accordo a ISO 3046-1

<b>LUBRIFICATION SYSTEM</b>	/
Total oil system capacity	1.1 lt.
Oil capacity in sump	/
Oil consumption at full load	
<b>EXHAUST SYSTEM</b>	
Maximum exhaust gas flow	/
Max. exhaust gas temp.	/
Maximum back pressure	/
External diameter exhaust pipe	/
<b>ELECTRICAL SYSTEM</b>	
Starter motor power	/
Battery charging alternator cap.	/
Cold start	/
<b>AIR FILTER</b>	Dry
Combustion air flow	/
<b>HEAT REJECTED AT FULL LOAD</b>	
To exhaust system	/
To water and oil	/
Radiated to room	/
To charge cooler	/



# CHARACTERISTICS OF WELDING AND GENERATION

GM 7-200 HBT

## C.C. WELDING

### CONSTANT CURRENT

Current range	40A / 21.6V ÷ 200A / 20V
Type of regulation	Step adjustment
Duty cycle	160A / 26.4V - 60%   120A / 24.8 - 100%
Open circuit voltage	85V
Arc force control	No

## GENERAL SPECIFICATIONS

Fuel tank capacity	6.1 l
Fuel consumption (welding 60%)	2.1 l/h
Running time (welding 60%)	2.9 h
Battery Starter	/

IP protection degree	IP 23
*Measured acoustic power LwA (pressure LpA)	97 dB(A) (71 dB(A) @ 7 m)
*Guaranteed acoustic power LwA (pressure LpA)	97 dB(A) (71 dB(A) @ 7 m)

\* Acoustic power according to European Directive 2000/14/EC

## A.C. GENERATION

### ALTERNATOR SYNCHRONOUS THREE-PHASE, SELF-EXCITED, SELF-REGULATED

Insulation class	H
------------------	---

## AUXILIARY GENERATION

OUTPUT 1	
Type of source	Three-phase
Frequency	50 Hz
Power kVA (Power kW) Max	7kVA (5.6kW)
Power kVA (Power kW) PRP	6.5kVA (5.2kW)
Cos φ	0.8
Voltage	400V
Current Max	10.1A
Current PRP	9.4A

OUTPUT 2	
Type of source	Single-phase
Frequency	50 Hz
Power kVA (Power kW)	4kVA (4kW)
Cos φ	0.8
Voltage	230V
Current	17.4A

The use of the auxiliary generation is recommended for welding tools (grinding wheels, electric hammers, lights, etc.)

## CONTROL PANEL

- Manual recoil
- Engine switch ON- OFF
- Choke
- Range welding selector
- Welding current selector
- Welding sockets
- Thermal circuit breaker for 230V/16A sockets
- Output sockets: 1x 400V 16A 3P +N+T CEE  
1x 230V 16A 2P+T CEE
- Earth terminal (PE)



# WEIGHT - DIMENSIONS ACCESSORIES

GM 7-200 HBT

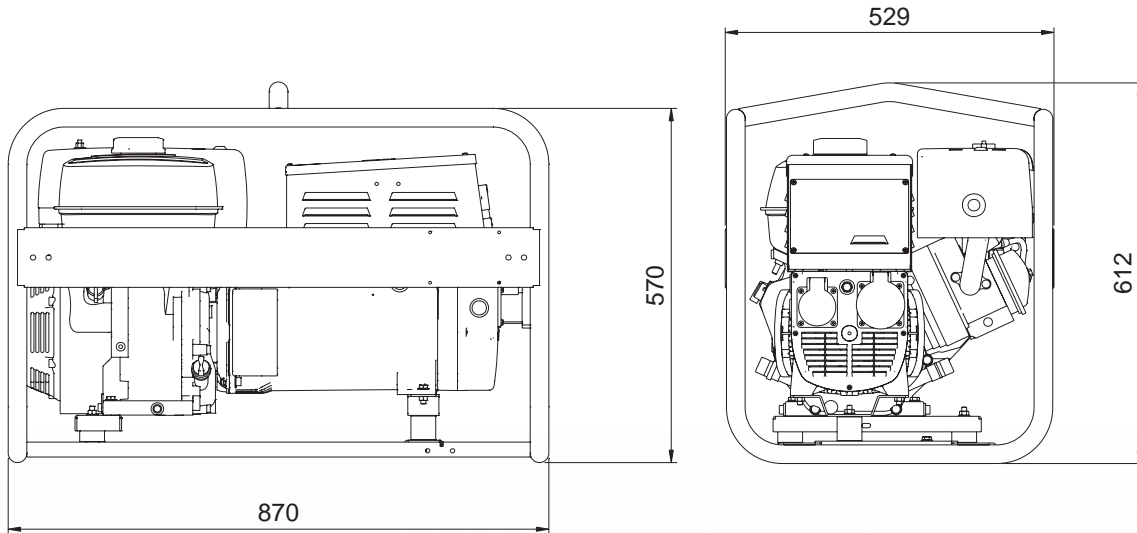


**DRY WEIGHT:**  
• 100 Kg

The welding machine pictured may include optional accessories.



**DIMENSION PICTURE**



### ⊕ OPTIONS ON REQUEST

- Welding kit (mask, gloves, etc.)
- Welding cables: K 200 (20+15m, 35mm<sup>2</sup>)
- Manual trolley CTM-GM5-200
- Carrying Kit TRM-MW200D
- Remote control extension
- Earthing kit

### ⊙ VERSION ON REQUEST

- /

### Ⓜ FACTORY INSTALLATION OPTIONS

- ELCB-GFI (Ground Fault Interruptor)

## GENERAL INFORMATION

### COMPLIANCE GENERATING SETS WITH EC DIRECTIVES AND STANDARDS

- 2006/42 / EC (Machines Directive)
- 2014/35 / EU (Low Voltage Directive)
- 2014/30 / EU (EMC Directive)
- 2000/14 / EC (Directive Acoustic Emission for machines for use outdoors)
- ISO 8528 (Reciprocating internal combustion engine driven alternating current generating sets)



ISO 9001:2015 - Cert. 0192

### WARRANTY

All devices are covered by the manufacturer's warranty.

The company reserves the right to change this specification without notice. For further information please contact the sales department.

© MOSA - Viale Europa, 59 - 20090 Cusago (Milano) - Italy - phone +39-0290352.1 - fax + 39-0290390466 E-mail: info@mosa.it Web site: www.mosa.it

