

GENERATING SET GE 7000 KBM

The images are for reference



FEATURES

- Engine shut down for low oil level
- Heavy duty air cleaner with built-in warm-air system for winter operation
- Three fuel filters: fill neck, in-tank and carburetor inlet
- Muffler with heat shield and spark arrestor
- Circuit breaker
- Protective frame
- Portable
- AVR version **on request**
- Not compliant with noise directive 2000/14/EC



Air cooling



petrol



single-phase power



manual recoil

POWER RATINGS		
	WITHOUT AVR	WITH AVR
* Stand-by single-phase power	6.7 kVA (6 kW) 230V/ 29.1A	7.2 kVA (6.5 kW) 230V/ 31.3A
* PRP single-phase power	5.5 kVA (5 kW) 230V/23.9A	6 kVA (5.4 kW) 230V/26 A
Frequency	50 Hz	
Cos φ	0.9	

* Output powers according to ISO 8528

DEFINITIONS

Valid declared powers up to the followings environmental conditions: temperature 25°C, altitude 100 meters above sea level)

LTP stand-by power: Maximum available power for use with variable loads for a yearly number of hours limited at 500 h. No overload is admitted.

PRP power: Continue power with variable loads. Maximum power for use with variable loads for a yearly unlimited numbers of hours.

COP power: COP Power: continuous power with constant load. Maximum power for use with constant loads for a yearly unlimited numbers of hours.

3000 RPM ENGINE

4-STROKE, OHV, NATURAL ASPIRATED	
Model	KOHLER CH 440 COMMAND PRO
* Stand-By net power	/
* PRP net power	/
* COP net power	/
Cylinders/ Displacement	1 / 429 cm ³ (0.429 lt.)
Bore / Stroke	89 / 69 (mm)
Compression ratio	8.3: 1
BMEP (Brake Mean Effective Pressure : LTP - PRP)	/
Speed governor type	Mechanical
FUEL CONSUMPTION	
110 % (Stand-By power)	/
100 % of PRP	/
75 % of PRP	/
50 % of PRP	/
COOLING SYSTEM	
Total system cap. - only engine	/
Fan air flow	/
LUBRIFICATION SYSTEM	
Total oil system capacity	/
Oil capacity in sump	1.3 lt.
Oil consumption at full load	/

EXHAUST SYSTEM	
Maximum exhaust gas flow	/
Max. exhaust gas temp.	/
Maximum back pressure	/
External diameter exhaust pipe	/
ELECTRICAL SYSTEM	
Starter motor power	/
Battery charging alternator cap.	/
Cold star	/
Cold start aids	/
AIR FILTER	Dry
Combustion air flow	/
HEAT REJECTED AT FULL LOAD	
To exhaust system	/
To water and oil	/
Radiated to room	/
To charge cooler	/

* Output powers according to ISO 3046-1



ALTERNATOR

SYNCHRONOUS, SINGLE-PHASE, SELF-EXCITED, SELF-REGULATED, BRUSHLESS		
	WITHOUT AVR	WITH AVR
Continuous power	6 kVA	7 kVA
Stand-By power	6.6 kVA	7.7 kVA
Single phase voltage	230 /115 Vac	
Frequency	50 Hz	
Cos φ	1	
Model A.V.R.	/	HVR10
Voltage regulation acc	± 5 %	± 2 %
Sustained short circuit current	3 In	
Transient dip (100% load)	< 15 %	10 %
Recovery time	/	
Efficiency at 100% load	77.5 % (230V - Cos φ 1)	79 % (230V - Cos φ 1)
Insulation	Class H	
Connection - Terminals	Series - N°4	
Electromagnetic compatibility (R.F.I. suppr.)	EN55011	
Waveform distortion - THD	< 6 %	< 5 %
Telephone interference - THF	/	

REACTANCES (6 KVA - 230 V)		
REACTANCES AVR (7 KVA - 230 V)		
Direct axis synchronous - Xd	/	
Direct axis transient - X'd	/	
Direct axis subtransient - X''d	/	
Quadrature axis synchronous - Xq	/	
Quadr. axis subtransient - X''q	/	
Negative sequence - X2	/	
Zero sequence - X0	/	
TIME CONSTANTS		
Transient - T'd	/	
Subtransient - T''d	/	
Open circuit - T'do	/	
Armature - Ta	/	
Short-circuit ratio Kcc	/	
IP protection degree	IP 23	
Cooling air flow	0.062/ m³/sec	0.583/ m³/sec
Coupling - Bearing	Direct J609b - N°1	

GENERAL SPECIFICATION

Tank capacity	7 lt.
Running time (75% of PRP)	/
Start battery	/
IP protection degree	IP 23

Acoustic power Lwa (pressure LpA)	99 dB(A) (74 dB(A) @ 7m)
Performance class	G2

CONTROL PANEL

- Engine switch ON- OFF
- Choke
- Thermal circuit breaker for 230V/16A sockets :1 x 16A
- Voltmeter
- Circuit breaker
- Earth terminal (PE)

AVAILABLE SOCKET COMBINATIONS

	VERSIONS		
	STANDARD	AVR	SCHUKO
1x230V 32A 2P+T CEE	•	•	•
1x230V 16A 2P+T CEE	•	•	
1x230V 16A 2P+T Schuko			•

WEIGHT - DIMENSIONS AND ACCESSORIES

GE 7000 KBM



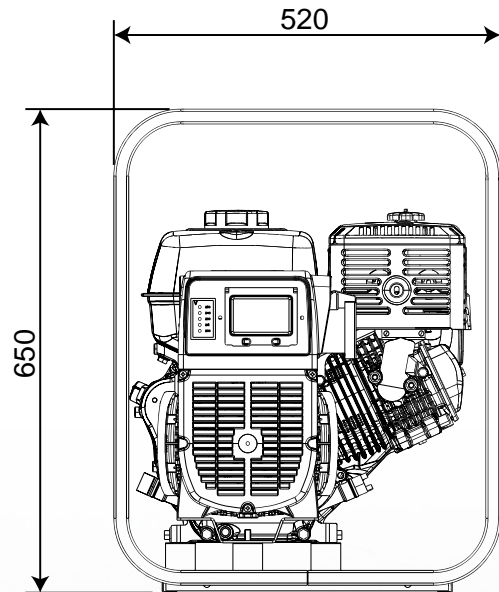
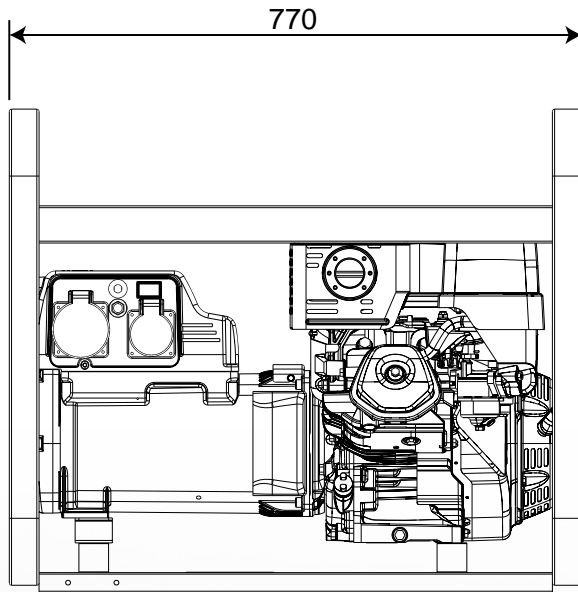
DRY WEIGHT OF MACHINE:

- 78 kg

Generating set pictured may include optional accessories.



DIMENSIONS PICTURE



OPTIONS ON REQUEST

- Earthing kit
- Moving trolley CM8



VERSIONS ON REQUEST

- Schuko sockets version
- AVR version



FACTORY INSTALLATION OPTIONS

- ELCB-GFI (Ground Fault Interruptor)

GENERAL INFORMATION

COMPLIANCE GENERATING SETS WITH EC DIRECTIVES AND STANDARDS

- 2006/42 / EC (Machines Directive)
- 2014/35 / EU (Low Voltage Directive)
- 2014/30 / EU (EMC Directive)
- ISO 8528 (Reciprocating internal combustion engine driven alternating current generating sets)



ISO 9001:2008 - Cert. 0192

WARRANTY

All devices are covered by the manufacturer's warranty.

Non-contractual document. Specification subject to change without notice.

© MOSA - Viale Europa, 59 - 20047 Cusago (Milano) - Italy - phone +39-0290352.1 - fax + 39-0290390466 E-mail: export@mosa.it Web site: www.mosa.it

