



GENERATING SET GE 5000 HBM-L

The images are for reference



FEATURES

- Electronic speed governor
- Engine shut down for low oil level (oil alert)
- Automatic starter (auto-choke)
- Alternator with Automatic voltage regulation "AVR"
- ELCB-GFI (Ground Fault Interruptor)
- Large fuel tank with fuel level gauge
- Ready for connection to automatic transfer unit EAS
- Portable
- Central lifting eye
- Compliant with EC / EU Directives



air cooled



petrol



single-phase



manual recoil



electric start

POWER RATINGS

* Stand-By single-phase power (LTP)	4.9 kVA (4.4 kW) / 230V / 21.3A
* PRP single-phase power	4 kVA (3.6 kW) / 230 V / 17.4 A
Frequency	50 Hz
Cos φ	0.9

* Powers declared according to ISO 8528

DEFINITION

Valid declared powers up to the followings environmental conditions: temperature 25°C, altitude 100 meters above sea level)

LTP power: stand-by power: Maximum available power for use with variable loads for a yearly number of hours limited at 500 h. No overload is admitted.

PRP power: continue power with variable loads. Maximum power for use with variable loads for a yearly unlimited numbers of hours.

COP power: continuous power with constant load. Maximum power for use with constant loads for a yearly unlimited numbers of hours.

ENGINE 3000 RPM

4 STROKE, OHV, NATURAL ASPIRATED

Model	HONDA iGX 270
Stand-By net power	5.7 kWm (7,7 hp)
PRP net power	4.6 kWm (6,2 hp)
COP net power	/
Cylinders / Displacement	1 / 270 cm ³ (0.27 lt.)
Bore / Stroke	77 / 58 (mm)
Compression ratio	8.5 : 1
BMEP (Brake Mean Effective Pressure : LTP - PRP)	/
Speed governor type	Electronic
FUEL CONSUMPTION	
110 % (Stand-by power)	2.4 lt./h
100 % to PRP	2.1 lt./h
75 % to PRP	1.6 lt./h
50 % to PRP	1.1 lt./h
COOLING SYSTEM	
Total system cap. - only engine	/
Fan air flow	/
LUBRICATION SYSTEM	
Total oil system capacity	/
Oil capacity in sump	1.1 lt.
Oil consumption at full load	/

EXHAUST SYSTEM

Maximum exhaust gas flow	/
Max. exhaust gas temp.	/
Maximum back pressure	/
External diameter exhaust pipe	/
ELECTRICAL SYSTEM	
Starter motor power	/
Battery charging alternator cap.	1A
Cold start	/
With cold start aid	/
AIR FILTER	
Combustion air flow	/
HEAT REJECTED AT FULL LOAD	
To exhaust system	/
To water and oil	/
Radiated to room	/
To charge cooler	/



ALTERNATOR

SYNCHRONOUS, SINGLE-PHASE, SELF-EXCITED, SELF-REGULATED	
Continuous power	4.2 kVA
Stand-by power	4.5 kVA
Three phase voltage	230 /115 Vac
Frequency	50 Hz
Cos φ	1
Model A.V.R.	AVR-d
Voltage regulation acc.	± 2 %
Sustained short circuit current	3 In
Transient dip (100% load)	10 %
Recovery time	/
Efficiency at 100% load	72 % (230V - Cos φ 1)
Insulation	Class H
Connection - Terminals	Series - N°4
Electromagnetic compatibility (R.F.I. suppr.)	/
Waveform distortion - THD	< 6 %
Telephone interference - THF	/

REACTANCES (4.2 kVA - 230/115 V)	
Direct axis synchronous - Xd	/
Direct axis transient - X'd	/
Subdirect axis transient - X''d	/
Quadrature axis synchronous - Xq	/
Quadr. axis subtransient - X''q	/
Negative sequence - X2	/
Zero sequence - X0	/
TIME CONSTANTS	
Transient - T'd	/
Subtransient - T''d	/
Open circuit - T'do	/
Armature - Ta	/
Short-circuit ratio Kcc	/
IP protection degree	IP 23
Cooling air flow	/
Coupling Bearing	Direct SAE J609b - N°1

GENERAL SPECIFICATIONS

Fuel tank capacity	20 lt.
Running time (75% to PRP)	12.5 h
Starter battery	12 Vdc -18Ah
IP protection degree	IP 23

* Measured acoustic power LwA (pressure LpA)	94.2 dB(A) (69.2 dB(A) @ 7m)
* Guaranteed acoustic power LwA (pressure LpA)	96 dB(A) (71 dB(A) @ 7m)
Performance class	G2

* Acoustic power in accordance with Directive 2000/14/EC

CONTROL PANEL

- Manual recoil
- Start and stop engine key
- Fuel valve
- Fuel gouge
- Local-Remote Start switch. Switch on Remote position for operating with Auto Transfer Switch EAS
- EAS plug
- Voltmeter
- Hoursmeter
- Circuit breaker
- Output sockets: 1x 230V 32A 2P+T CEE
1x 230V 16A 2P+T CEE
- Earth terminal (PE)



WEIGHT - DIMENSIONS AND ACCESSORIES

GE 5000 HBM-L



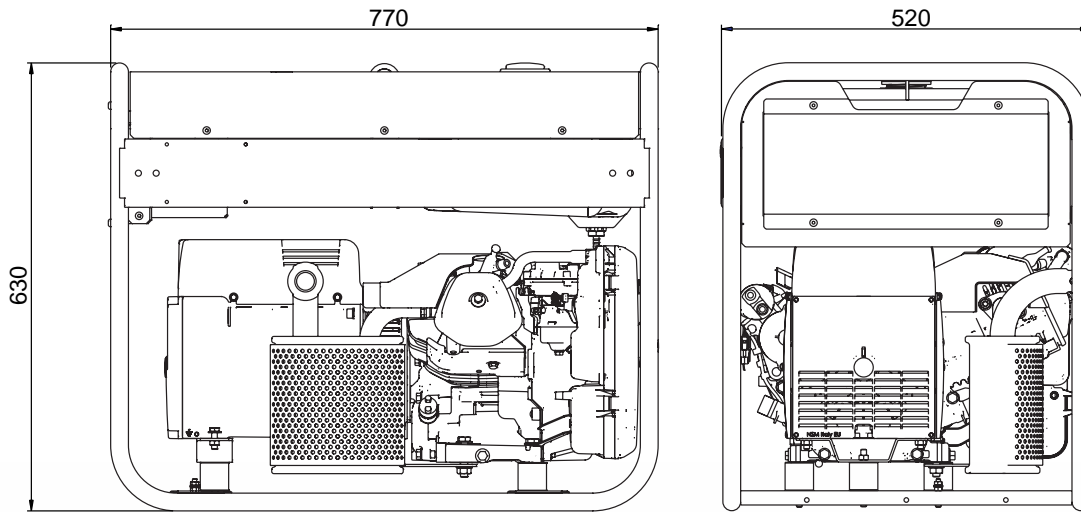
DRY WEIGHT MACHINE:

- 80 Kg

Generating set pictured may include optional accessories.



DIMENSIONS DRAW (mm)



OPTIONS ON REQUEST

- Ready for connection to automatic transfer unit EAS 15 - 806 (25 A)
- Remote control TCM6
- Trolley CTM8000L
- Earthing kit



VERSIONS ON REQUEST

- /



FACTORY INSTALLATION OPTIONS

- ELCB-GFI (Ground Fault Interruptor)

GENERAL INFORMATION

COMPLIANCE GENERATING SETS WITH EC DIRECTIVES AND STANDARDS

- 2006/42 / EC (Machines Directive)
- 2014/35 / EU (Low Voltage Directive)
- 2014/30 / EU (EMC Directive)
- 2000/14 / EC (Directive Acoustic Emission for machines for use outdoors)
- ISO 8528 (Reciprocating internal combustion engine driven alternating current generating sets)



ISO 9001:2015 - Cert. 0192

WARRANTY

All devices are covered by the manufacturer's warranty.

The company reserves the right to change this specification without notice. For further information please contact the sales department.

© MOSA - Viale Europa, 59 - 20090 Cusago (Milano) - Italy - phone +39-0290352.1 - fax + 39-0290390466 E-mail: info@mosa.it Web site: www.mosa.it

