



# GENERATING SET GE 3500 MBM

The images are for reference



## FEATURES

- Manual recoil
- Engine shut down for low oil level
- Sockets 2x230V 16A 2P+T Schuko
- Overload thermal shut off
- Battery charger 12 Vcc with fuse protection
- Protective frame
- Silenced
- Portable
- Not compliant with noise directive 2000/14/EC



air cooling



petrol



single-phase



manual recoil

## POWER RATINGS

* Stand-by single-phase power	3,3 kVA (3 kW) / 230V/14,3A
* PRP single-phase power	3 kVA (2,7 kW) / 230V/13A
Frequency	50 Hz
Cos φ	0.9

\* Output powers according to ISO 8528

## DEFINITIONS

**Valid declared powers up to the followings environmental conditions: temperature 25°C, altitude 100 meters above sea level)**

**LTP stand-by power:** Maximum available power for use with variable loads for a yearly number of hours limited at 500 h. No overload is admitted.

**PRP power:** Continue power with variable loads. Maximum power for use with variable loads for a yearly unlimited numbers of hours.

**COP power:** COP Power: continuous power with constant load. Maximum power for use with constant loads for a yearly unlimited numbers of hours.

## 3000 RPM ENGINE

### 4-STROKE, OHV, NATURAL ASPIRATED

Model	MOSA - M225
* Stand-By net power	5,0 kWm (6,8 hp)
* PRP net power	4,5 kWm (6 hp)
* COP net power	/
Cylinders/ Displacement	1 / 223 cm <sup>3</sup> (0,223 lt.)
Bore / Stroke	70 / 58 (mm)
Compression ratio	8,7 : 1
BMEP (Brake Mean Effective Pressure : LTP - PRP)	/
Speed governor type	Mechanical
<b>FUEL CONSUMPTION</b>	
110 % (Stand-By power)	2,5 lt./h
100 % of PRP	2,2 lt./h
75 % of PRP	1,9 lt./h
50 % of PRP	1,2 lt./h
<b>COOLING SYSTEM</b>	
Total system cap. - only engine	/
Fan air flow	/
<b>LUBRIFICATION SYSTEM</b>	
Total oil system capacity	/
Oil capacity in sump	0,55 lt.
Oil consumption at full load	/

## EXHAUST SYSTEM

Maximum exhaust gas flow

/

Max. exhaust gas temp.

/

Maximum back pressure

/

External diameter exhaust pipe

/

## ELECTRICAL SYSTEM

/

Starter motor power

/

Battery charging alternator cap.

/

Cold star

/

Cold start aids

/

## AIR FILTER

Dry

Combustion air flow

/

## HEAT REJECTED AT FULL LOAD

To exhaust system

/

To water and oil

/

Radiated to room

/

To charge cooler

/

\* Output powers according to ISO 3046-1



## ALTERNATOR

SYNCHRONOUS, SINGLE-PHASE, SELF-EXCITED, SELF-REGULATED, BRUSHLESS	
Continuous power	3 kVA
Stand-By power	3.3 kVA
Single phase voltage	230 Vac
Frequency	50 Hz
Cos $\phi$	1
Model A.V.R.	/
Voltage regulation acc	$\pm 5\%$
Sustained short circuit current	3 In
Transient dip (100% load)	< 15 %
Recovery time	/
Efficiency at 100% load	75 % (230V - Cos $\phi$ 1)
Insulation	Class H
Connection - Terminals	Series - n°2
Electromagnetic compatibility ( R.F.I. suppr.)	EN 55011
Waveform distorsion - THD	< 6 %
Telephone interference - THF	/

REACTANCES (3 kVA - 230 V)	
Direct axis synchronuos - Xd	/
Direct axis transient - X'd	/
Direct axis subtransient - X''d	/
Quadrature axis synchronuos. - Xq	/
Quadr. axis subtransient - X''q	/
Negative sequence - X2	/
Zero sequence - X0	/
TIME CONSTANTS	
Transient - T'd	/
Subtransient - T''d	/
Open circuit - T'do	/
Armature - Ta	/
Short-circuit ratio Kcc	/
IP protection degree	IP 23
Cooling air flow	0.062 m <sup>3</sup> /sec
Coupling - Bearing	Direct J609a - N°1

## GENERAL SPECIFICATION

Tank capacity	3.6 lt.
Running time (75% of PRP)	1.8 h
Start battery	/

IP protection degree	IP 23
Pressure acoustic	72 dB(A) @ 7m
Performance class	G1

## CONTROL PANEL

- Engine switch ON- OFF
- Choke
- Thermal circuit breaker for 230V/16A sockets : 1 x 12A
- Output sockets: 2x 230V 16A 2P+T Schuko
- Earth terminal (PE)
- 12 Vdc output sockets (battery charger)
- 12Vdc output protection fuse



# WEIGHT - DIMENSIONS AND ACCESSORIES

GE 3500 MBM



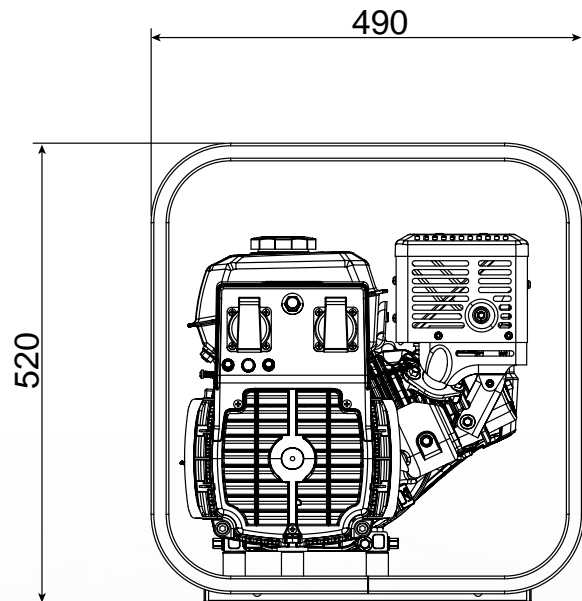
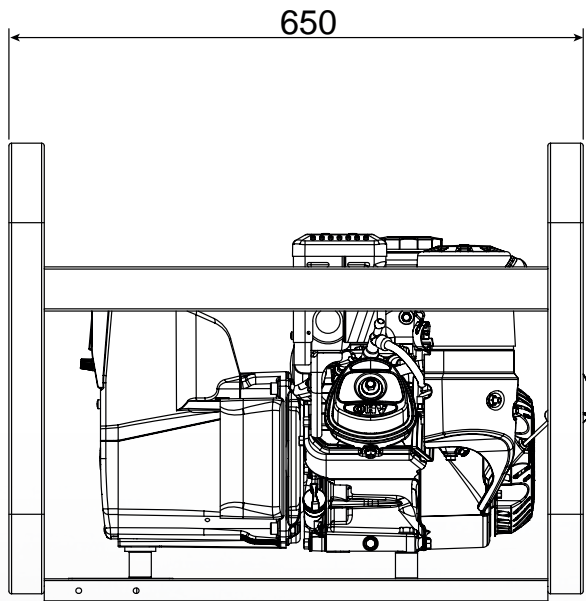
## DRY WEIGHT OF MACHINE:

- 43 kg

Generating set pictured may include optional accessories.



## DIMENSIONS PICTURE



## OPTIONS ON REQUEST

- Earthing kit
- Moving trolley CM8



## VERSIONS AVAILABLE

CJ6V1010 STANDARD

## GENERAL INFORMATION

### COMPLIANCE GENERATING SETS WITH EC DIRECTIVES AND STANDARDS

- 2006/42 / EC (Machines Directive)
- 2014/35 / EU (Low Voltage Directive)
- 2014/30 / EU (EMC Directive)
- ISO 8528 (Reciprocating internal combustion engine driven alternating current generating sets )



ISO 9001:2008 - Cert. 0192

### WARRANTY

All devices are covered by the manufacturer's warranty.

Non-contractual document. Specification subject to change without notice.

© MOSA - Viale Europa, 59 - 20047 Cusago (Milano) - Italy - phone +39-0290352.1 - fax + 39-0290390466 E-mail: export@mosa.it Web site: www.mosa.it

